

# ARCHITECTURAL METAL WORKS

1483 67th Sreet  
Emeryville CA, 94608  
Tel. (510) 601-1240  
Fax: (510) 601-1440

**Sketch**

Date: MARCH 21, 2013

AMW No: 1301-2

Project: AMW MASTER DETAIL

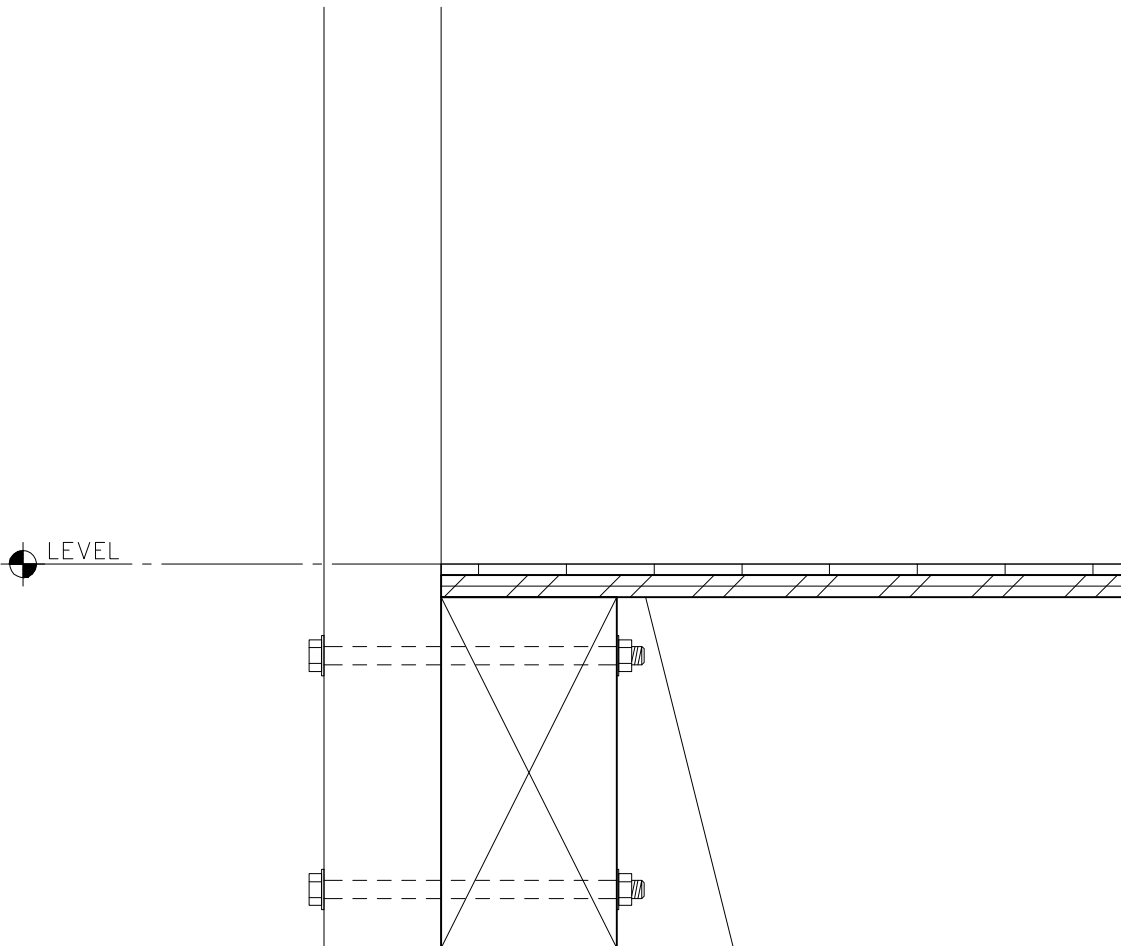
By:

Drawing Sheet or Spec: RAIL CONNECTION DETAIL

Scale: N.T.S.

Sketch No.: 02

Description:



## SIDE MOUNTED

THROUGH BOLTS PREFERRED, LAG BOLTS IF NO ACCESS

# ARCHITECTURAL METAL WORKS

1483 67th Sreet  
Emeryville CA, 94608  
Tel. (510) 601-1240  
Fax: (510) 601-1440

Sketch

Date: MARCH 21, 2013

AMW No: 1301-3

Project: AMW MASTER DETAIL

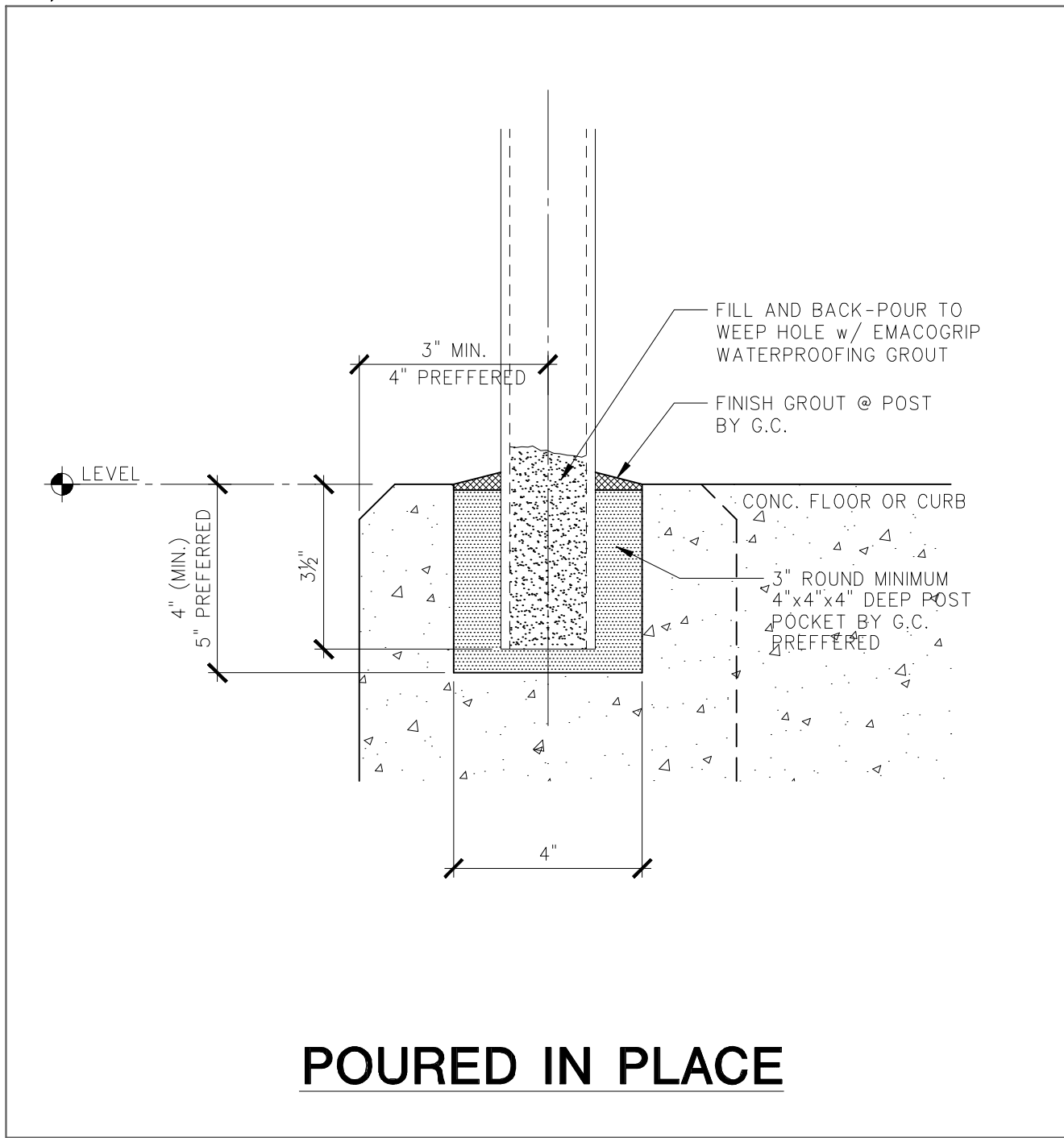
By:

Drawing Sheet or Spec: RAIL CONNECTION DETAIL

Scale: N.T.S.

Sketch No.: 03

Description:



# ARCHITECTURAL METAL WORKS

1483 67th Sreet  
Emeryville CA, 94608  
Tel. (510) 601-1240  
Fax: (510) 601-1440

Sketch

Date: MARCH 21, 2013

AMW No: 1301-4

Project: AMW MASTER DETAIL

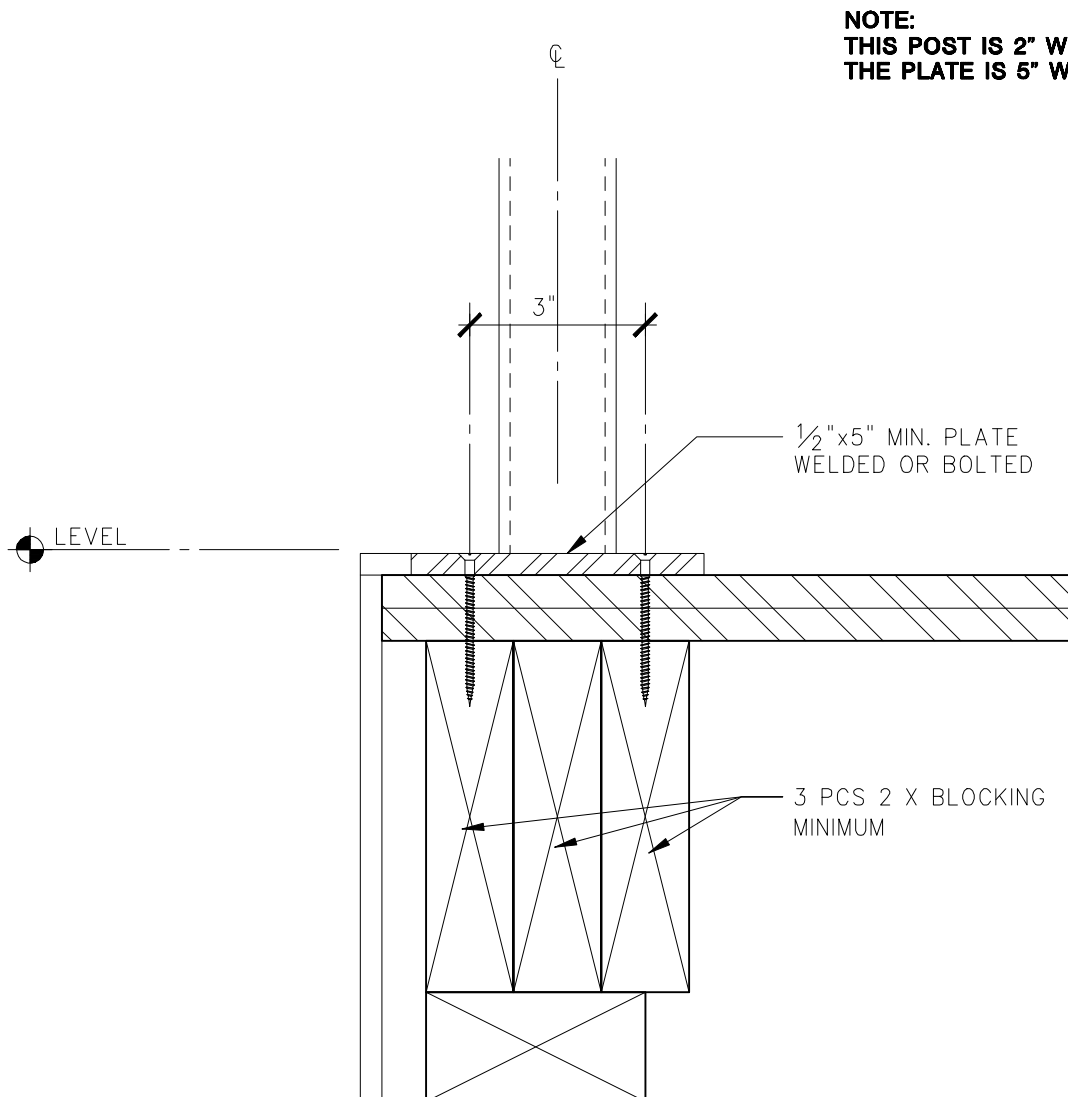
By:

Drawing Sheet or Spec: RAIL CONNECTION DETAIL

Scale: N.T.S.

Sketch No.: 04

Description:



**PLATE MOUNTED**  
TRIPLE BLOCK REQUIRED