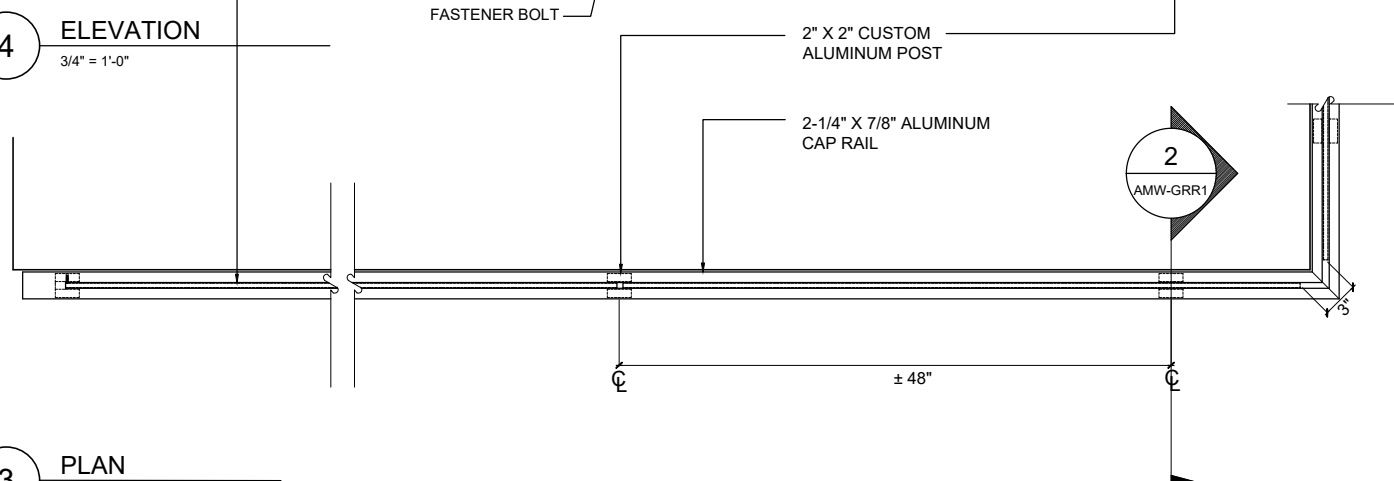
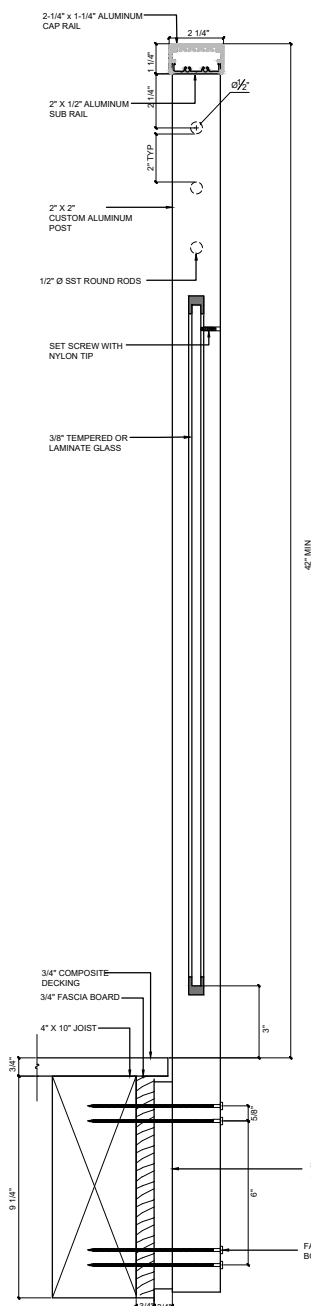


4 ELEVATION
3/4" = 1'-0"



3 PLAN
3/4" = 1'-0"



2 SECTION DETAIL - SIDE MOUNT
1-1/2" = 1'-0"



1 RENDERED PERSPECTIVE
NTS

**ARCHITECTURAL
METAL WORKS**
1483 67TH STREET
EMERYVILLE, CA 94608
TEL: (510) 601-1240
FAX: (510) 601-1440

DATE: 11/04/15	DRAWING SHEET:	
TITLE: GLASS ROD RAIL SYSTEM	AMW - GRR1	
DRAWN BY:		TCK
SCALE:		AS NOTED