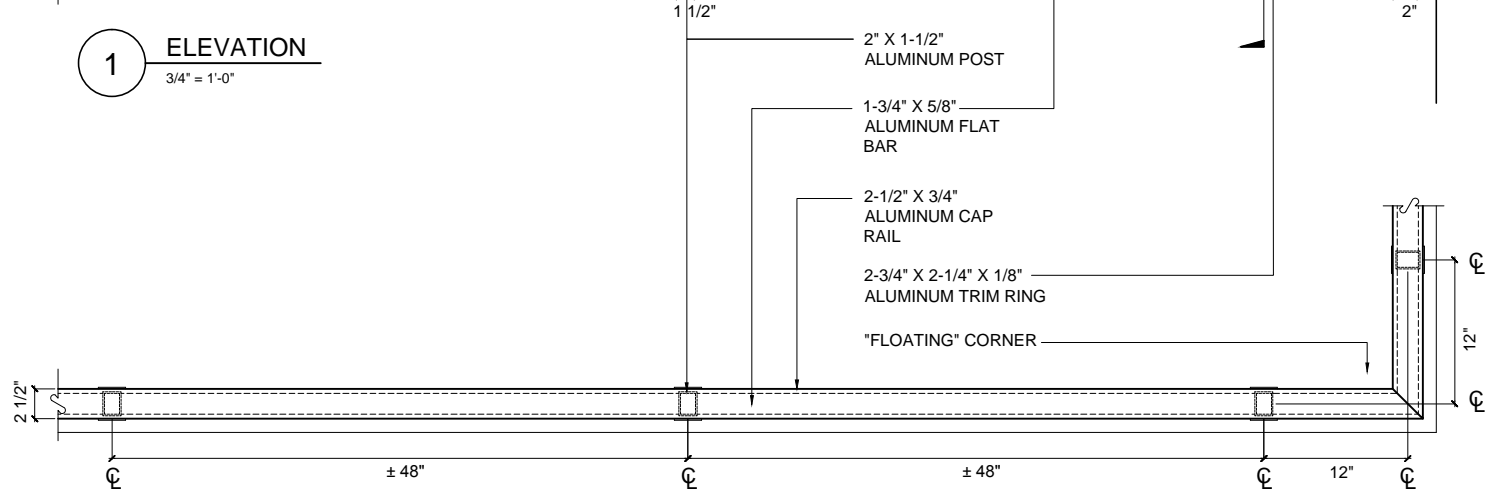
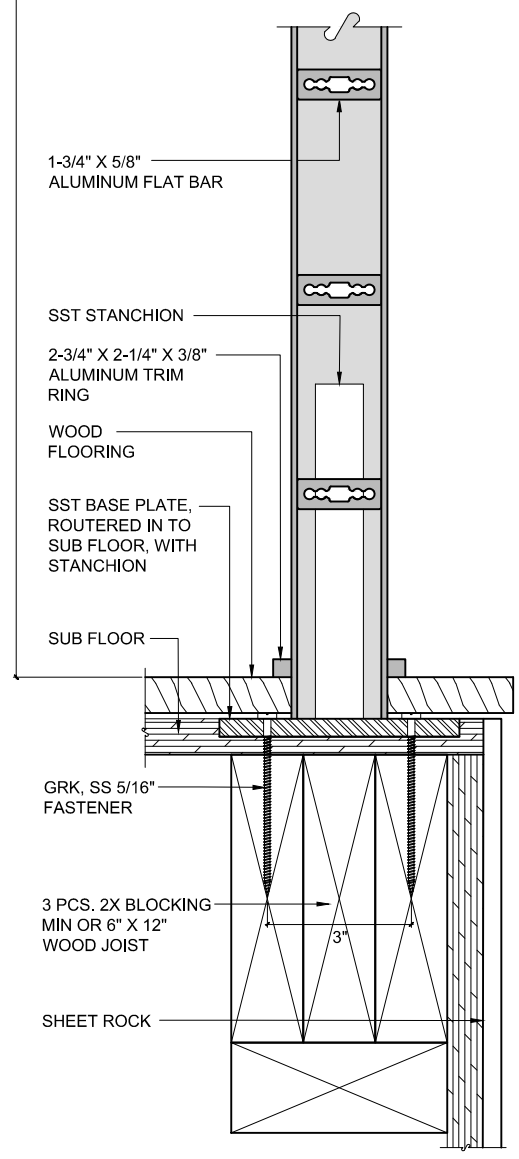
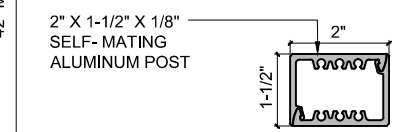
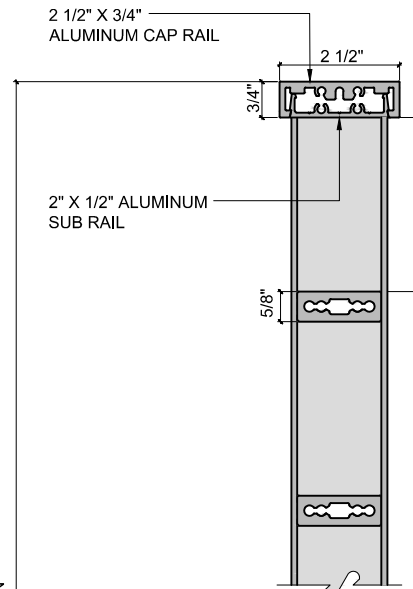


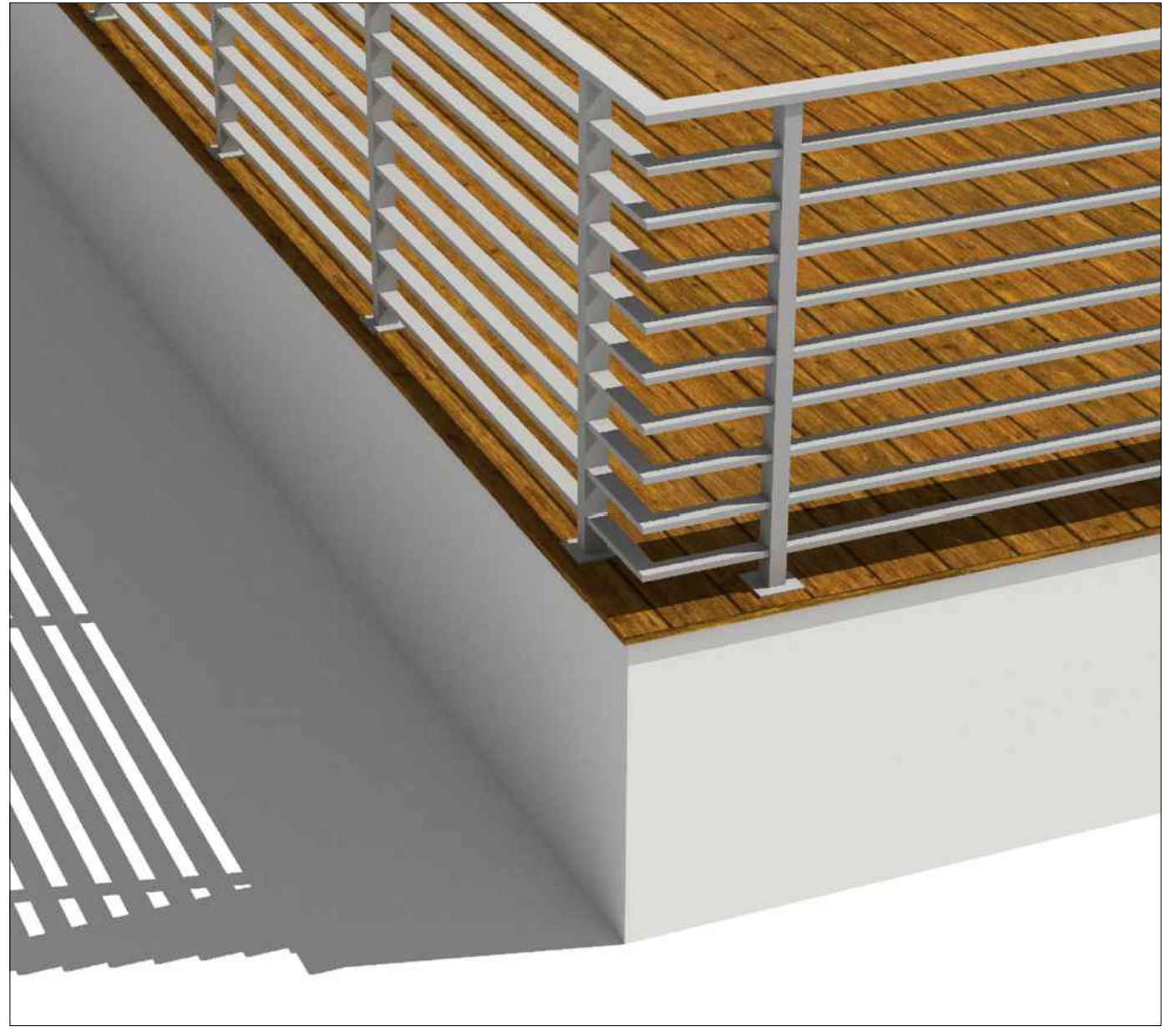
1 ELEVATION
3/4" = 1'-0"



2 PLAN
3/4" = 1'-0"



3 SECTION DETAIL - TOP MOUNT
3" = 1'-0"



4 RENDERED PERSPECTIVE
NTS

ARCHITECTURAL METAL WORKS

1483 67TH STREET
EMERYVILLE, CA 94608
TEL: (510) 601-1240
FAX: (510) 601-1440

DATE: 03/05/15

TITLE: AFB (ALUMINUM FLAT BAR) RAILING SYSTEM

NOTES:

DRAWN BY: JA

SCALE: AS NOTED

DRAWING SHEET:

AMW - AFB1