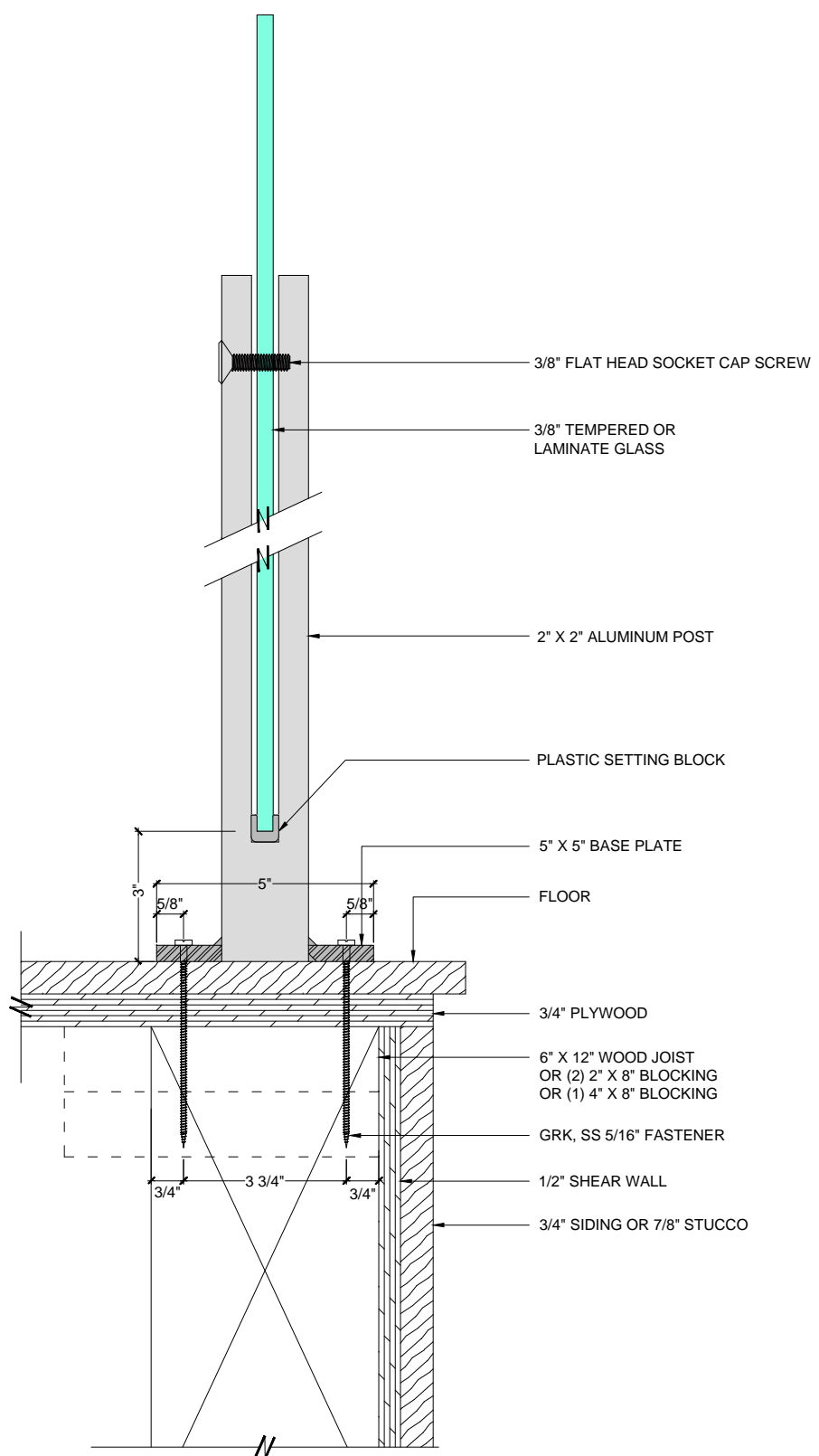
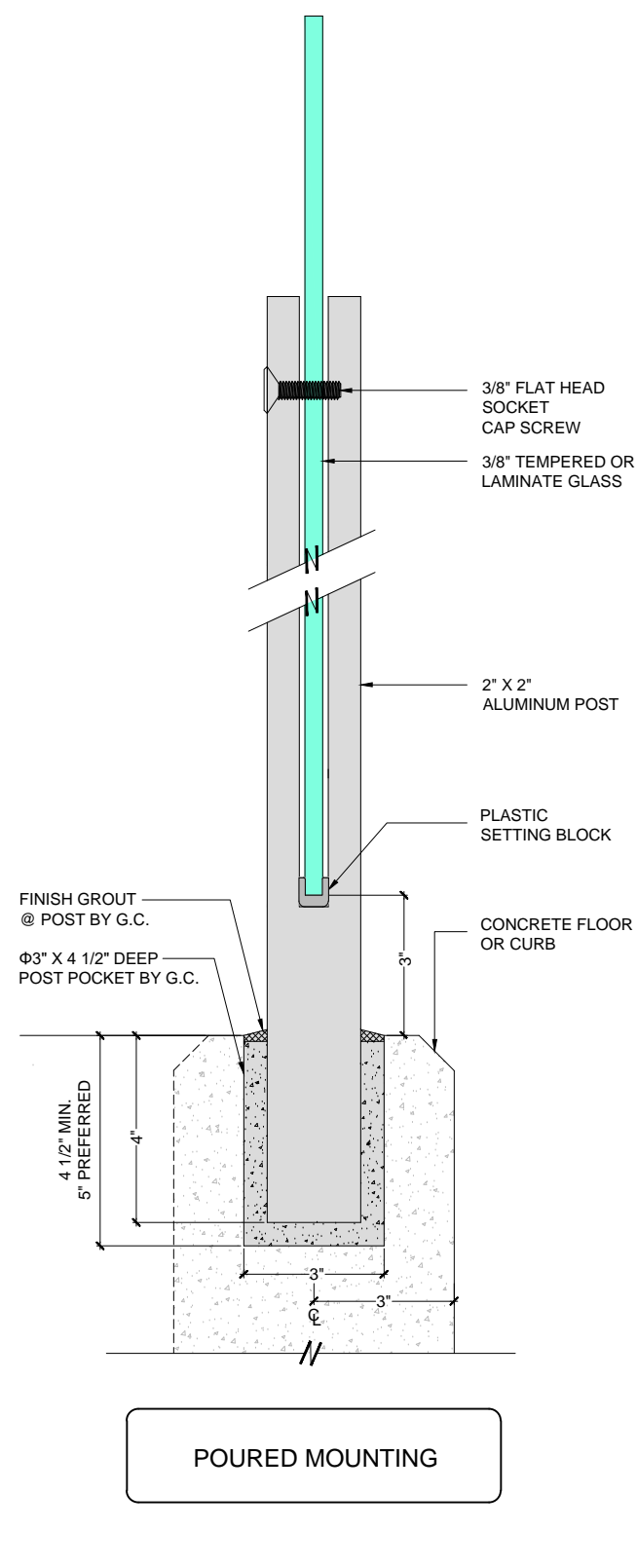


**SIDE MOUNTING**



**TOP MOUNTING**



**POURED MOUNTING**

<b>WENTWORTH METAL WORKS</b> 1483 67TH STREET EMERYVILLE, CA 94608 TEL: (510) 601-1240 FAX: (510) 601-1440	
PROJECT:	SPECIFICATIONS
CONTACT:	
DATE:	04/23/2019
NOTES:	
TITLE:	GLASS LOCK RAILING SYSTEM NO CAP
SCALE:	3" = 1'-0"
DRAWN BY:	MY
DRAWING SHEET:	WMW - 5.0

**WENTWORTH  
METAL WORKS**

1483 67TH STREET  
EMERYVILLE, CA 94608  
TEL: (510) 601-1240  
FAX: (510) 601-1440

PROJECT:  
SPECIFICATIONS

CONTACT:

DATE:  
04/23/2019

TITLE:  
GLASS LOCK  
RAILING SYSTEM  
NO CAP

SCALE:  
3/4" = 1'-0"

DRAWN BY:  
MY

DRAWING SHEET:

**WMW - 6.0**

