

**ARCHITECTURAL
METAL WORKS**

1483 67th Street
Emeryville CA, 94608
Tel. (510) 601-1240

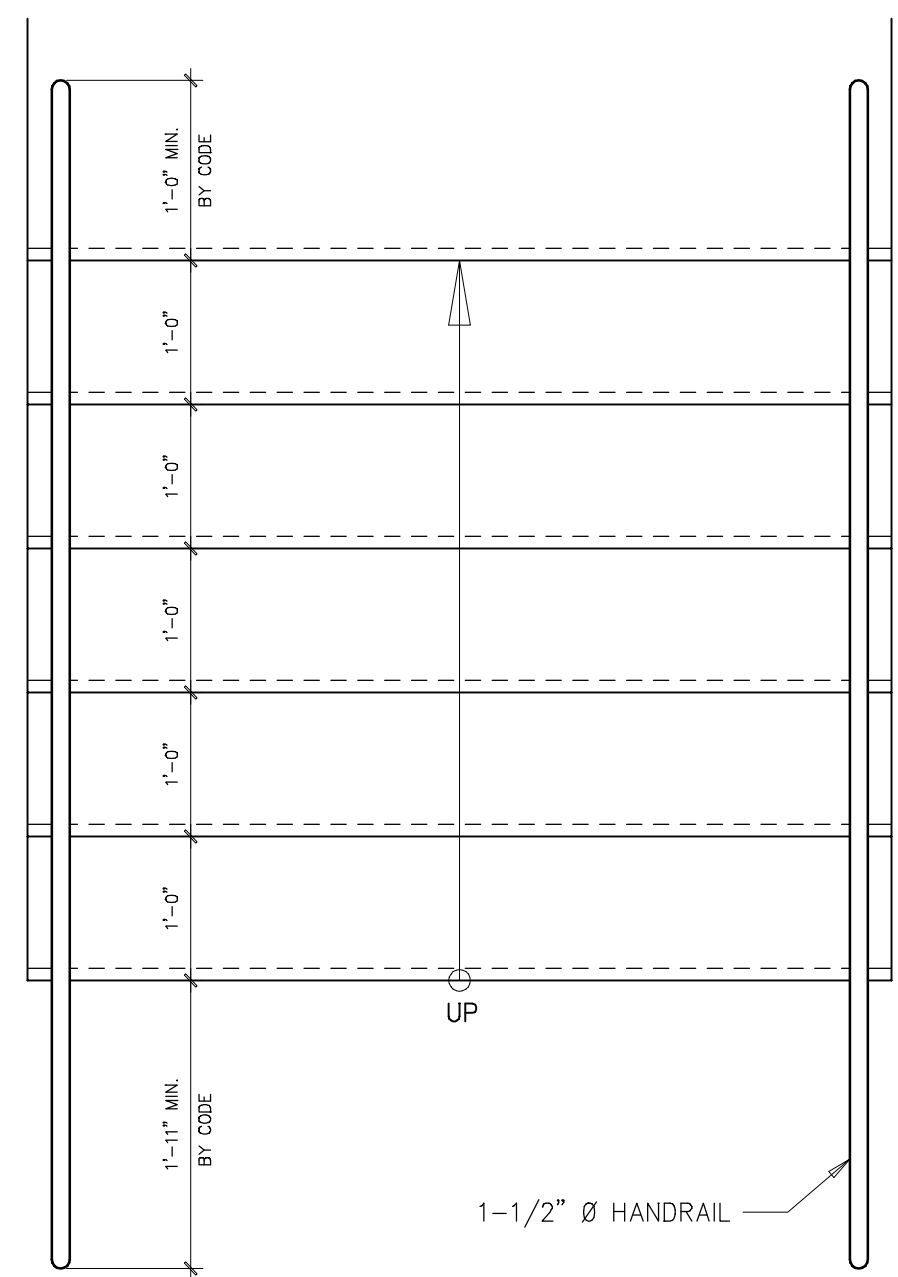
www.michaelwentworth.com

**SHOP
DRAWING**

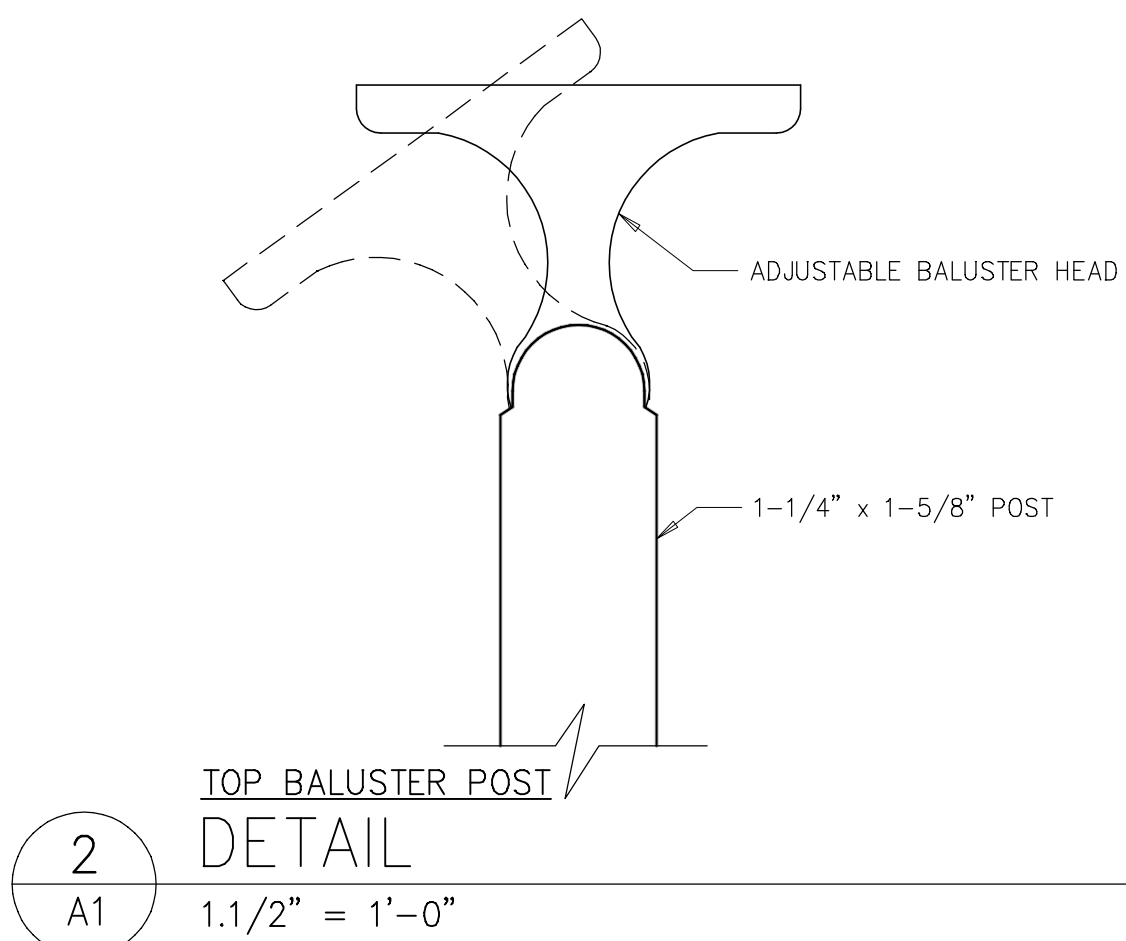
JOB NO : 1201
DATE : 06-11-12
DESIGN : SBW
DRAWN : EWT
CHECKED BY : SBW
FILE NAME : 1201A1

SHEET

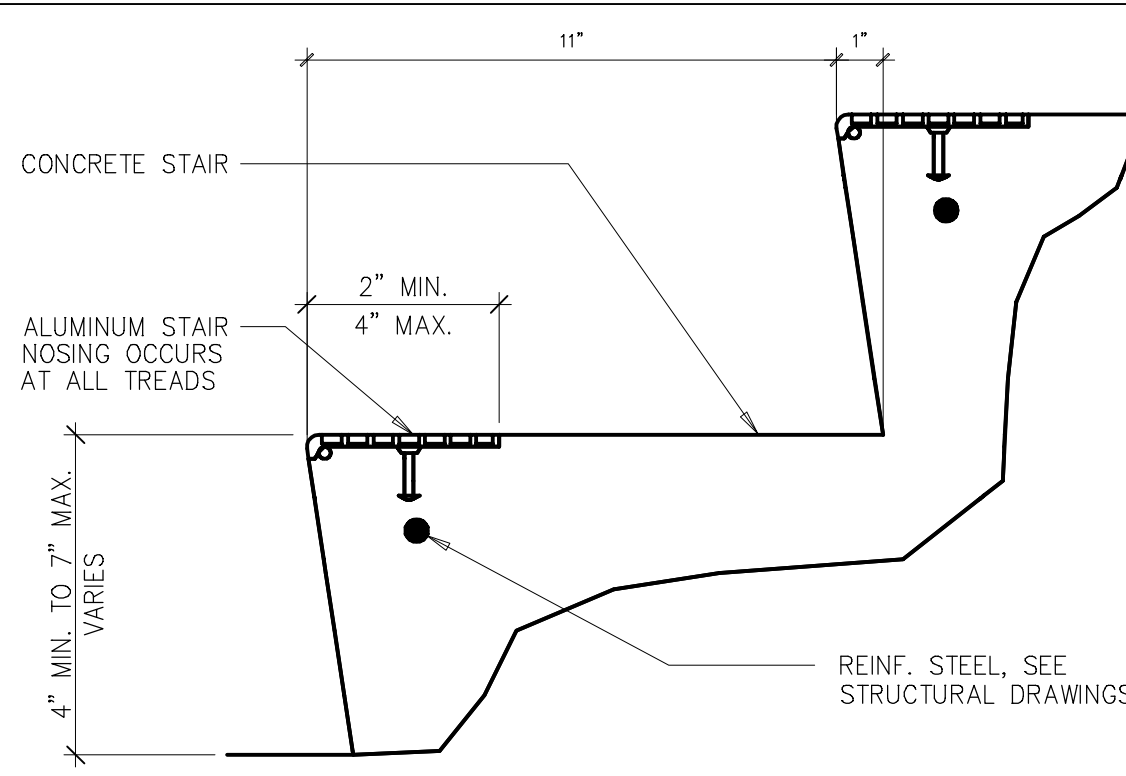
A1



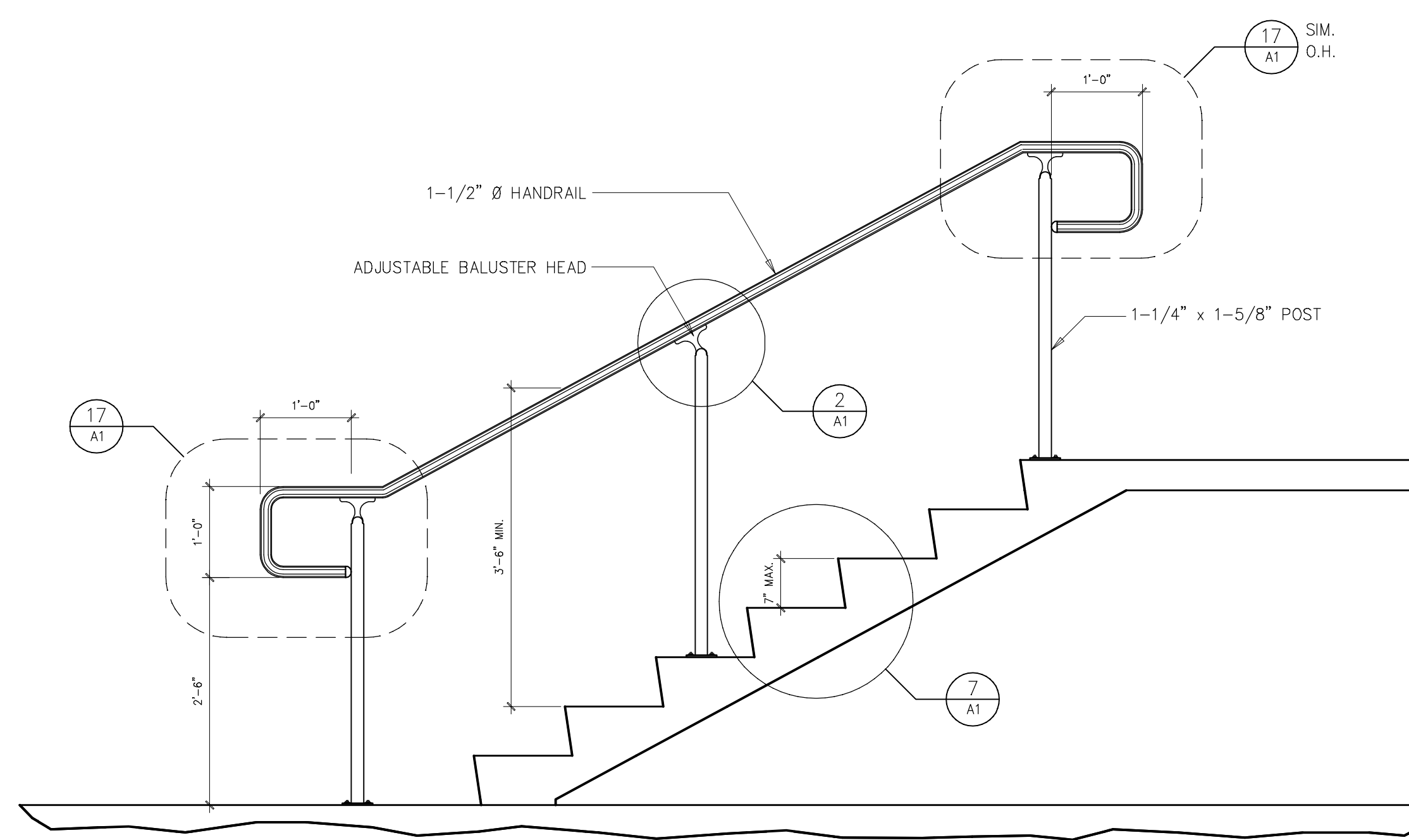
6
A1
STAIR PLAN
PLAN DETAIL
3/4" = 1'-0"



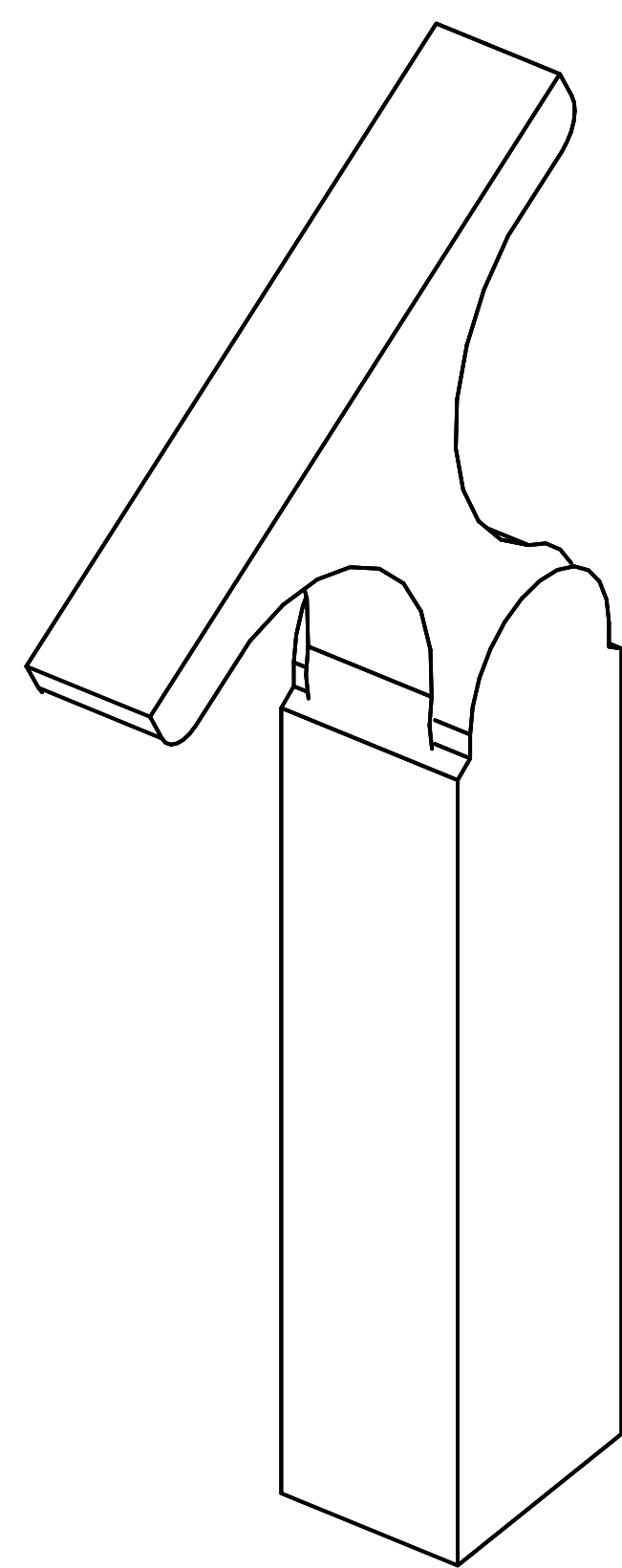
2
A1
TOP BALUSTER POST
DETAIL
1 1/2" = 1'-0"



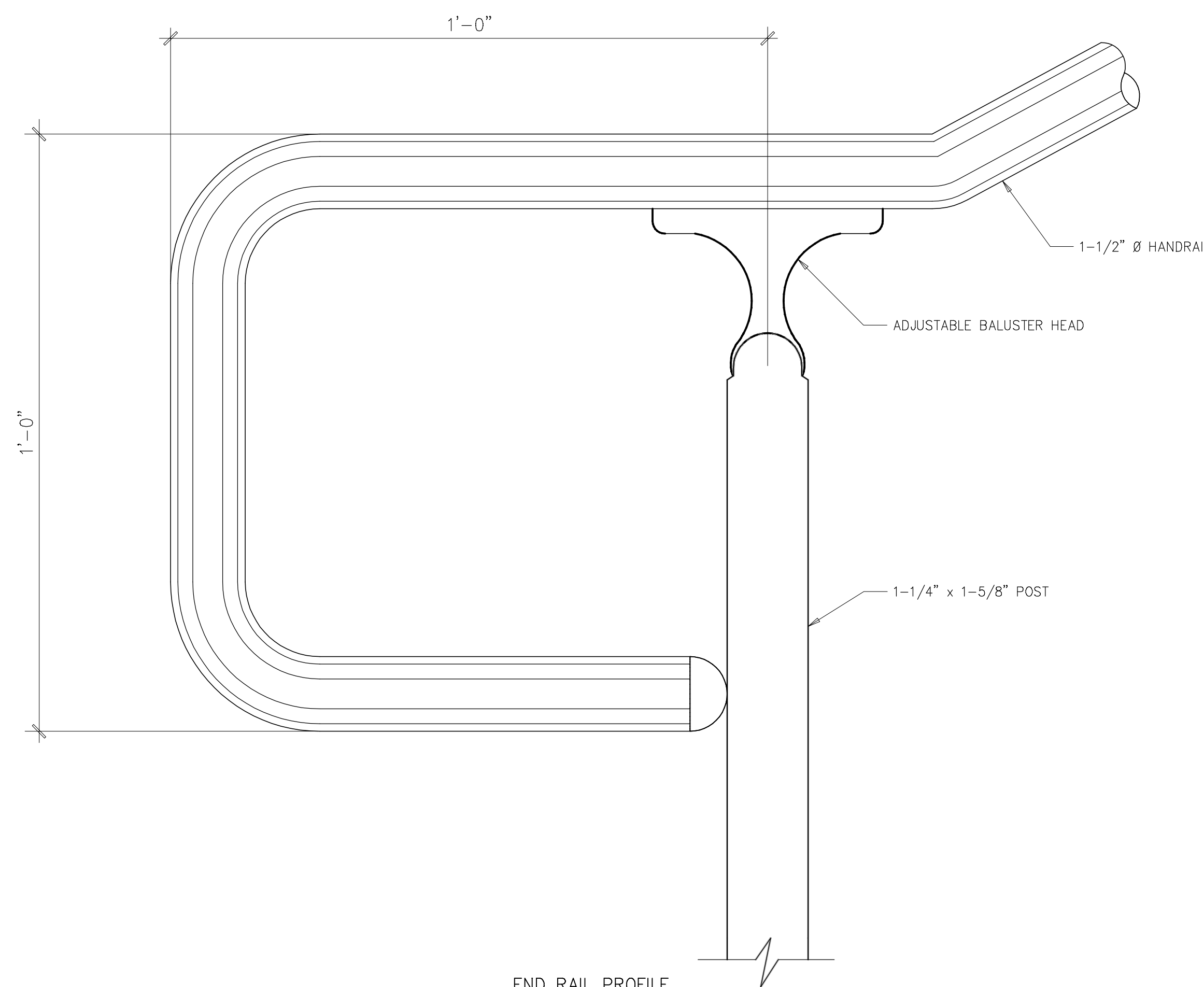
7
A1
AT CONCRETE STAIRS
STAIR NOSING
3" = 1'-0"



8
A1
STAIR AND GUARDRAIL
SECTION
3/4" = 1'-0"



17
A1
ADJUSTABLE RAIL
ISOMETRIC VIEW
3" = 1'-0"



18
A1
END RAIL PROFILE
DETAIL
1 1/2" = 1'-0"