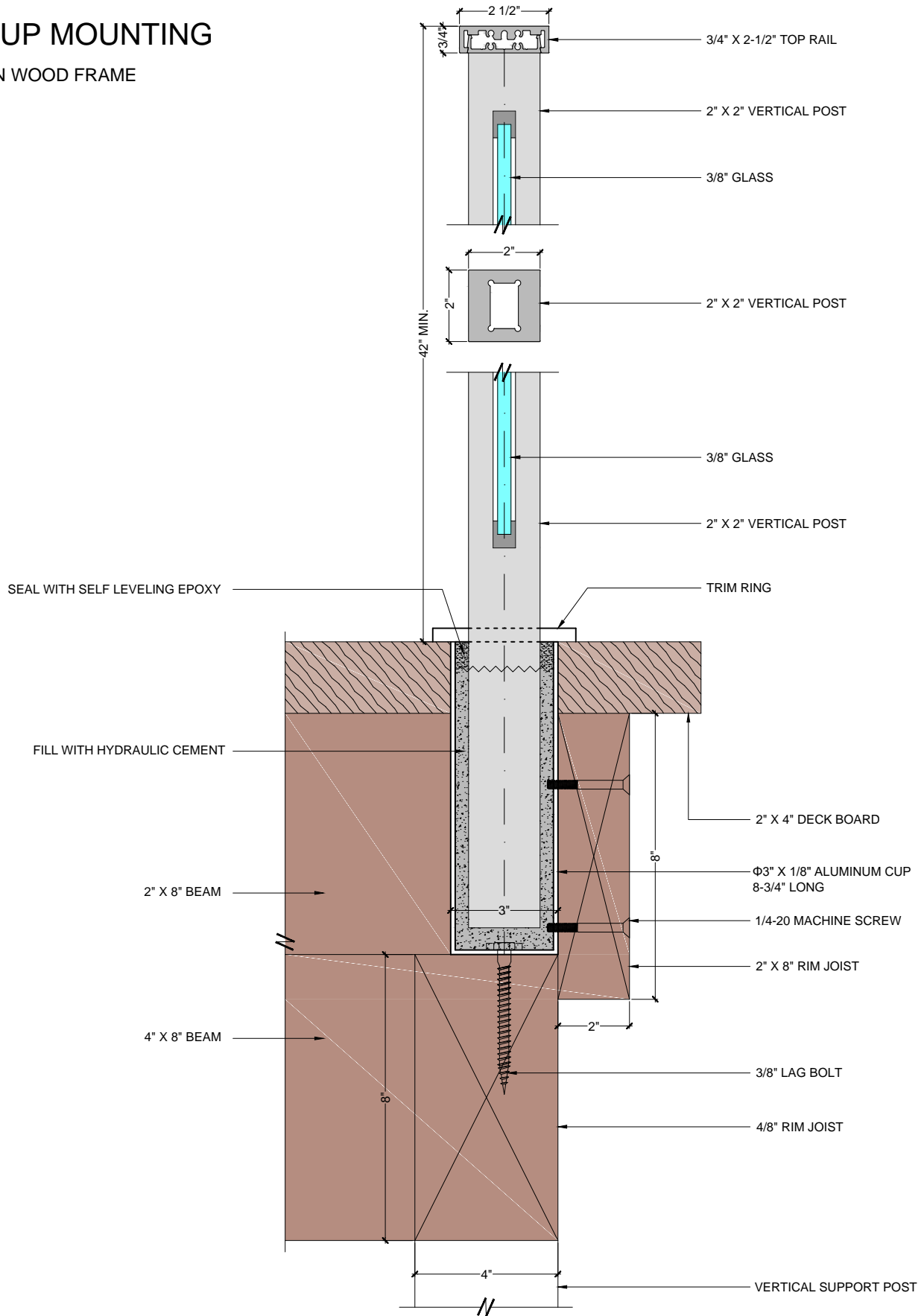


# CUP MOUNTING

ON WOOD FRAME



**WENTWORTH  
METAL WORKS**

1483 67TH STREET  
EMERYVILLE, CA 94608  
TEL: (510) 601-1240  
FAX: (510) 601-1440

PROJECT: MOUNTING DETAILS

TITLE: CUP MOUNTING 1

NOTES:

SCALE: 3" = 1'-0"

DRAWN BY: MY

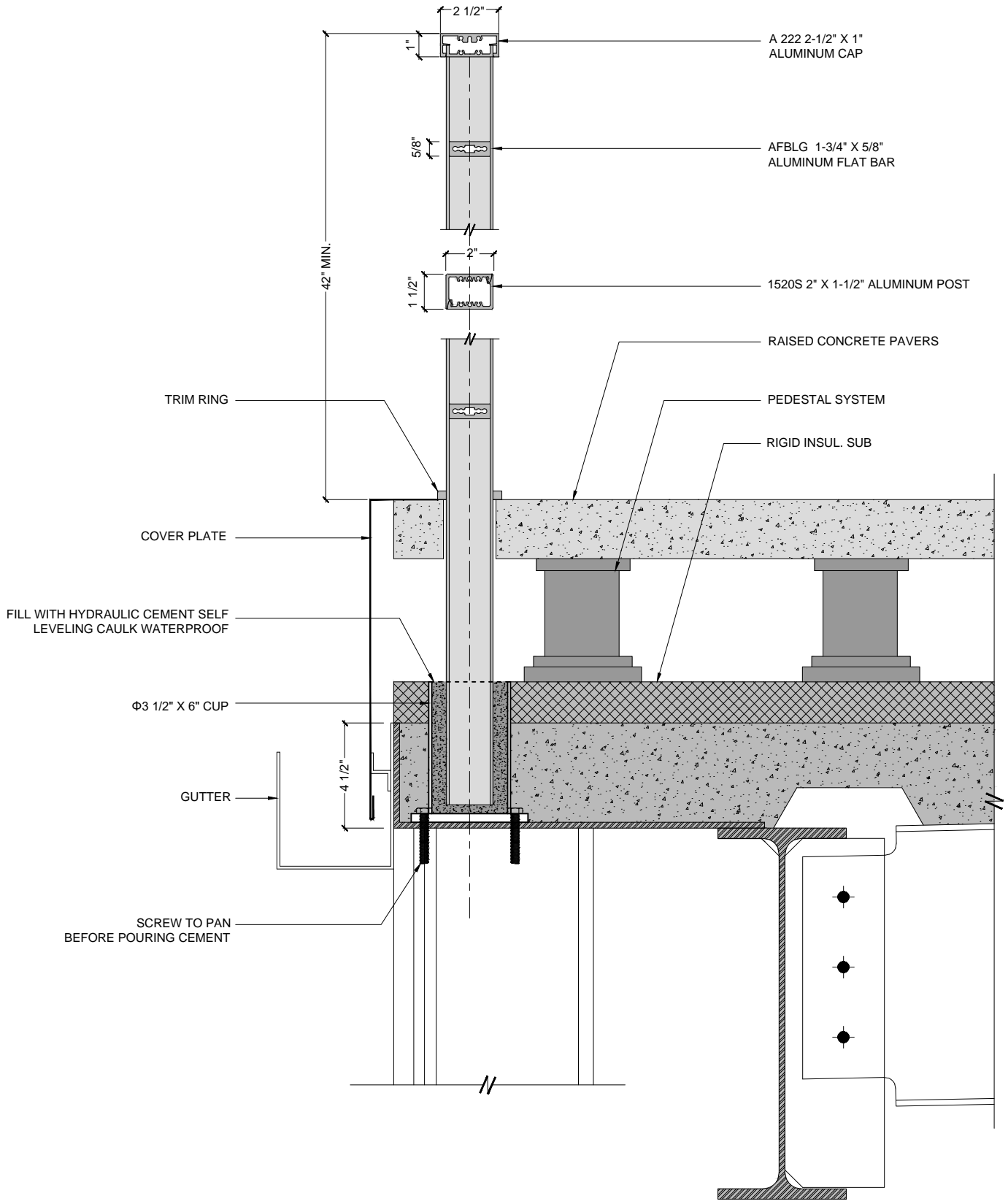
DATE: 11/29/18

DRAWING SHEET:

**WMW - M 5.1**

# CUP MOUNTING

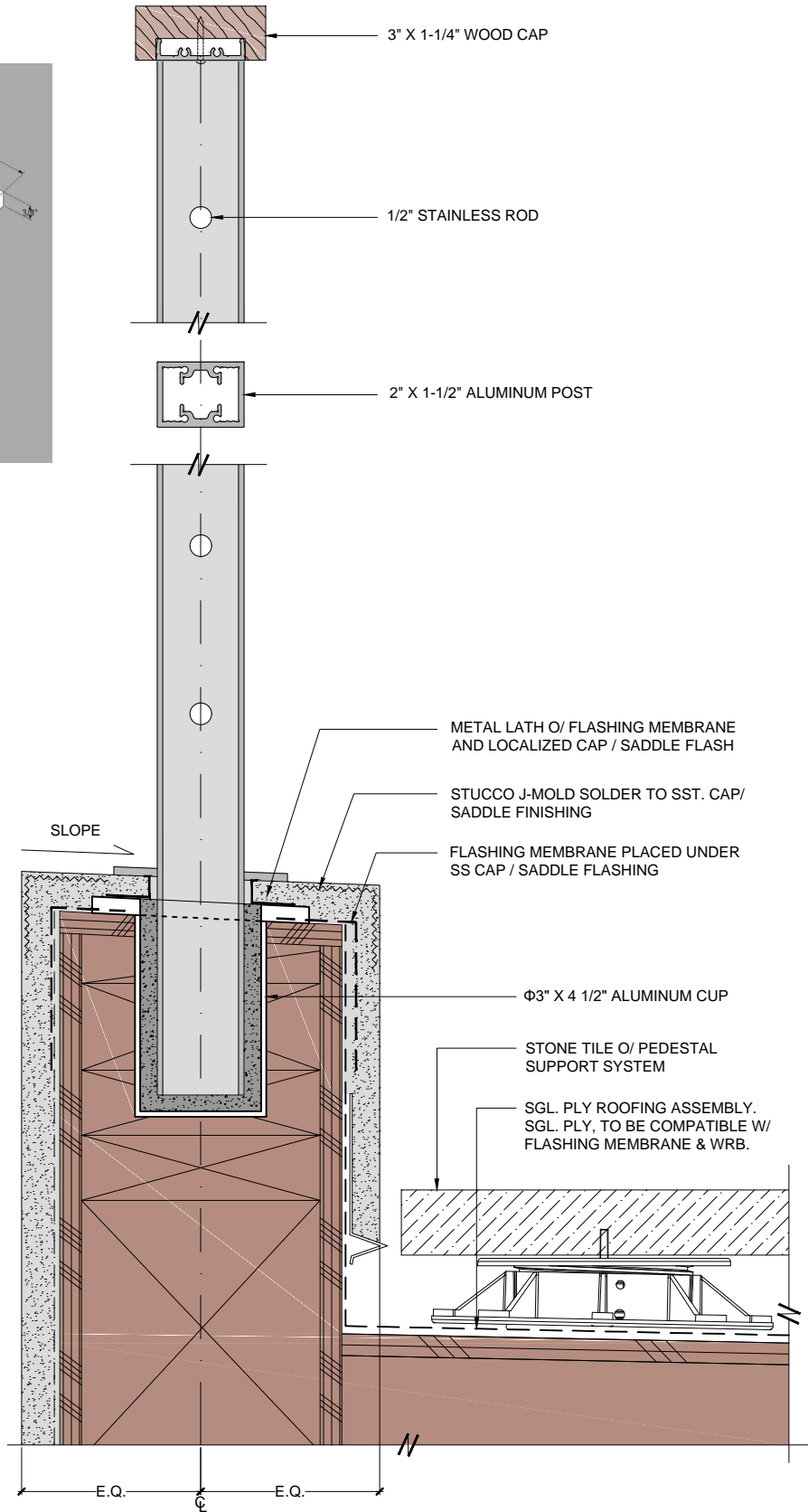
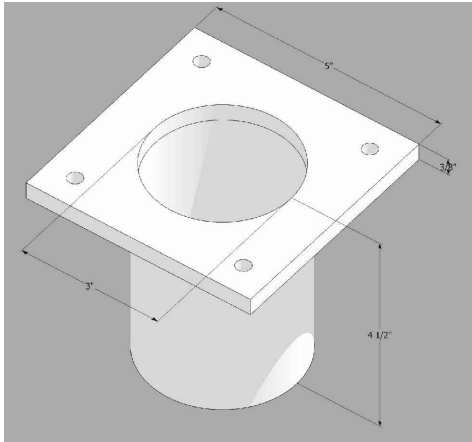
ON FLOATING PEDESTAL DECK



<b>WENTWORTH METAL WORKS</b> 1483 67TH STREET EMERYVILLE, CA 94608 TEL: (510) 601-1240 FAX: (510) 601-1440	PROJECT: MOUNTING DETAILS		DRAWING SHEET:
	TITLE: CUP MOUNTING 2	SCALE: 2" = 1'-0"	<b>WMW - M 5.2</b>
	NOTES:	DRAWN BY: MY	
		DATE: 11/29/18	

# CUP MOUNTING

ON WOOD FRAMED CURB



**WENTWORTH  
METAL WORKS**

1483 67TH STREET  
EMERYVILLE, CA 94608  
TEL: (510) 601-1240  
FAX: (510) 601-1440

PROJECT: MOUNTING DETAILS

TITLE: CUP MOUNTING 3

NOTES:

SCALE: 3" = 1'-0"

DRAWN BY: MY

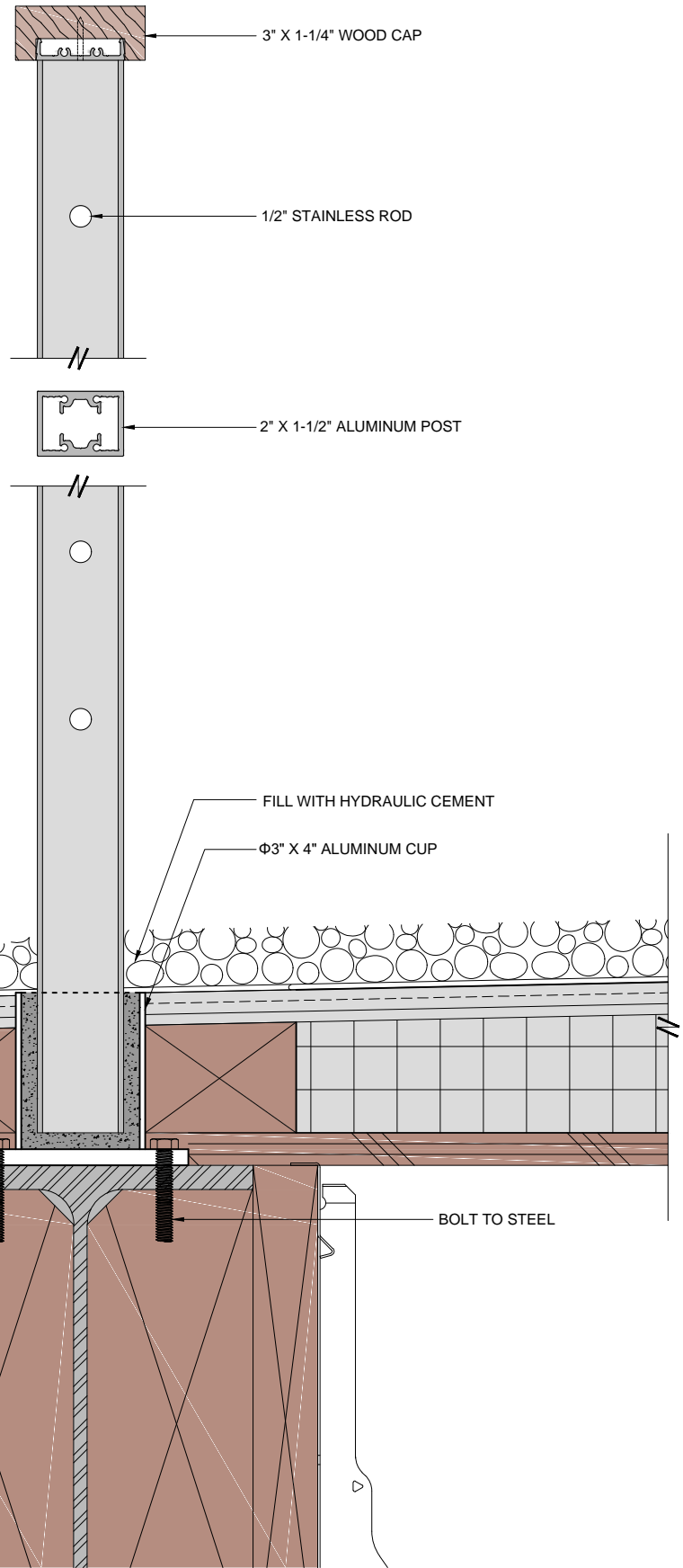
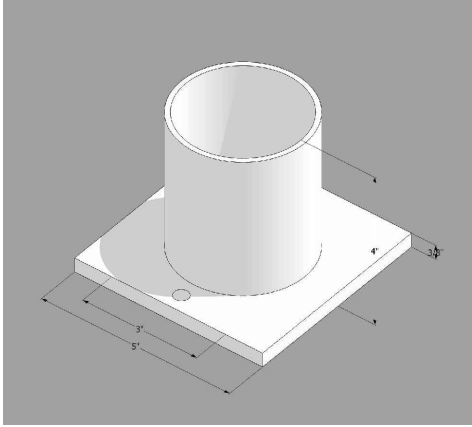
DATE: 11/29/18

DRAWING SHEET:

**WMW - M 5.3**

# CUP MOUNTING

BOLTED TO STEEL BEAM



## WENTWORTH METAL WORKS

1483 67TH STREET  
EMERYVILLE, CA 94608  
TEL: (510) 601-1240  
FAX: (510) 601-1440

PROJECT: MOUNTING DETAILS

TITLE: CUP MOUNTING 4

NOTES:

SCALE: 3" = 1'-0"

DRAWN BY: MY

DATE: 11/29/18

DRAWING SHEET:

WMW - M 5.4